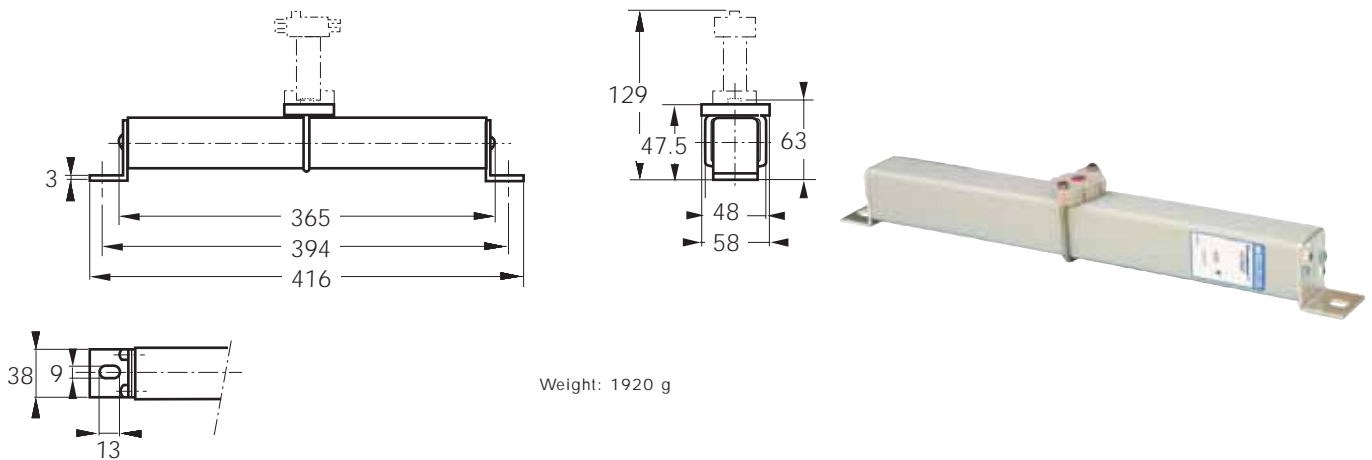


DC Square-body Fuses Sizes 600 - 602 - 2x602 SR Brackets size 600 - 3500 to 4200 V DC

4000-4200 V DC
 SRE from 40 to 150 A

Dimensions



Main Characteristics

Size	Current rating I_N (A)	Breaking Capacity	Watts loss		Max. I^2t @ 3500 V		Designation	Ref. Number	Catalog Number	
			0.8 I_N (W)	I_N (W)	L/R = 15 ms (A ² S)	L/R = 45 ms (A ² S)				
600	40	@ 4000 V DC	50	100	480	850	CC 42 SRE 600 QF 0040	C079490	D600SE42C40QF	
		60 kA L/R = 25 ms								
	50	@ 4200 V DC	60 kA	52	103	1050	800	CC 42 SRE 600 QF 0050	D079491	D600SE42C50QF
			63	57	114	2100	3500	CC 42 SRE 600 QF 0063	E079492	D600SE42C63QF
			80	65	128	3500	6000	CC 42 SRE 600 QF 0080	F079493	D600SE42C80QF
			100	70	140	8000	13500	CC 42 SRE 600 QF 0100	G079494	D600SE42C100QF
			125	75	147	16500	28000	CC 42 SRE 600 QF 0125	H079495	D600SE42C125QF
			150	78	155	31000	55000	CC 42 SRE 600 QF 0150	V079667	D600SE42C150QF

Microswitch MC 2R 1-5NBS Ref. Number: J310025

Pack: 1 piece



DC Square-body Fuses

Sizes 600 - 602 - 2x602

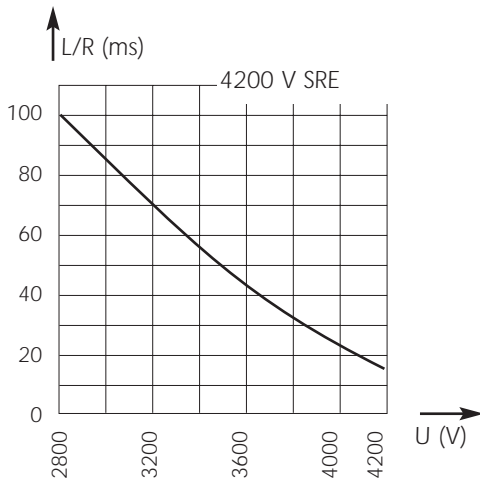
SR Brackets size 600 - 3500 to 4200 V DC

4000-4200 V DC

SRE from 40 to 150 A

Electrical characteristics

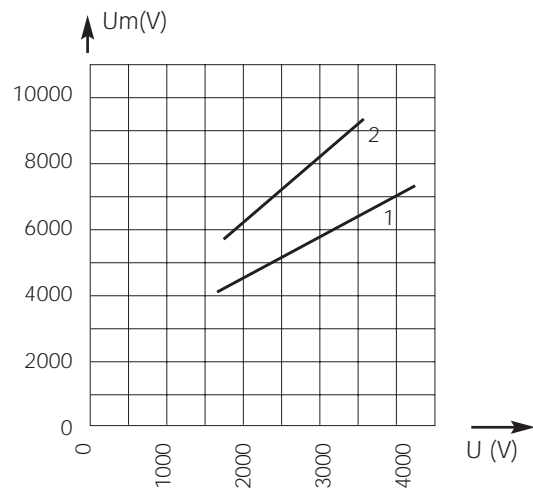
DC applications data



Above: Curve indicates maximum permissible value of time constant L/R as a function of DC working voltage

Max. AC voltage (50/60 Hz):
3800 V with breaking capacity of 50 kA

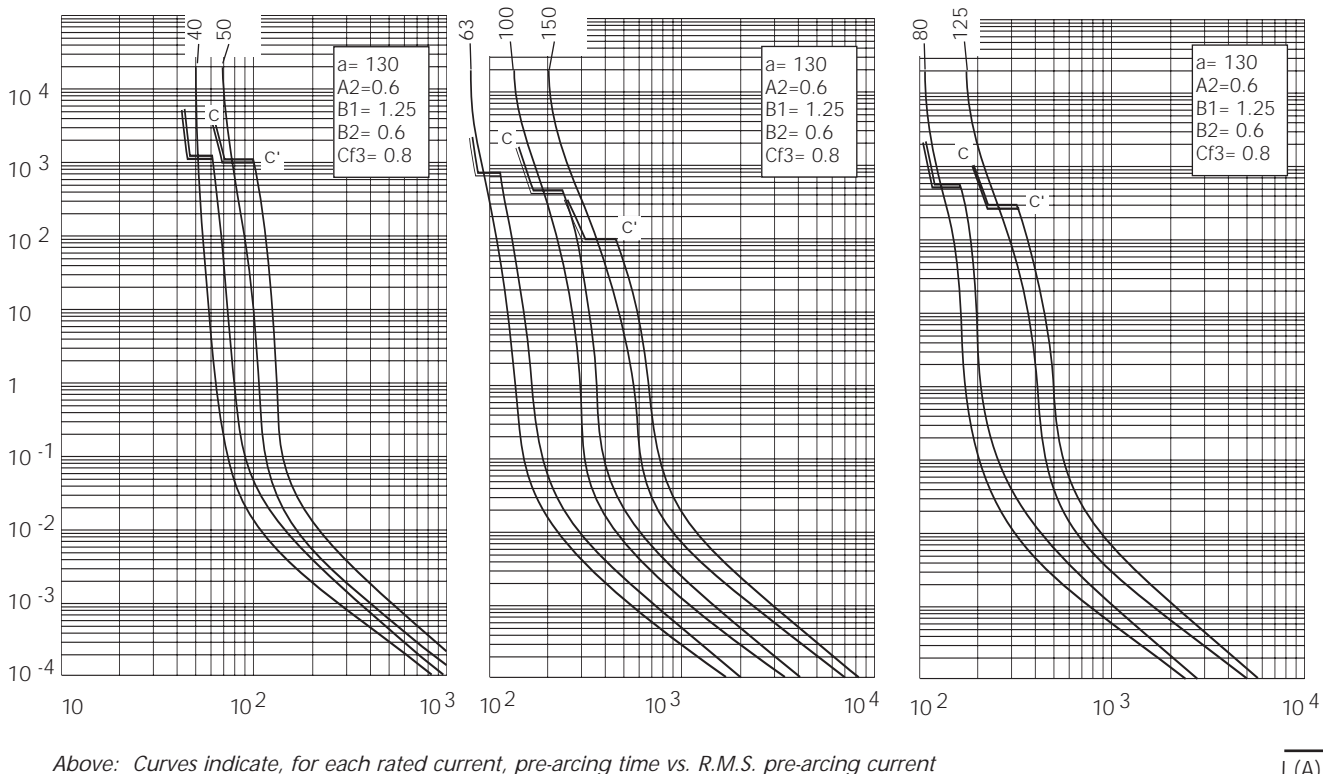
Peak arc voltage vs. working voltage



1 : L/R = 15 ms 4200 V SRE
2 : L/R = 45 ms 4200 V SRE

Above: Curves indicate for various time constants L/R the peak arc voltage which may appear across fuse terminals, vs. DC working voltage

Time vs. current characteristics



Above: Curves indicate, for each rated current, pre-arcing time vs. R.M.S. pre-arcing current